

## Remote Displays

### Large Scoreboard Remote Displays (2" XLR-6, 3.5" XLR-8, 3.5" XLR-12)

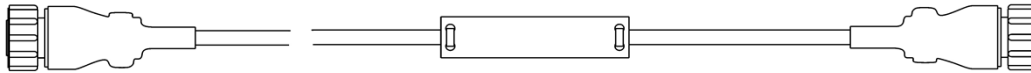
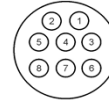
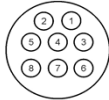
Our XLR series of remote displays feature high visibility LED lights and full length bar graph across the bottom of the display. The use of high brightness and high resolution LEDs makes for easy viewing of weight information from a distance. The standard Transmitter/Receiver also helps in controlling the scale from a distance. Interfaces with Avery Weigh-Tronix AG or Digi-Star indicators using the RS232 port. Also, the XLR can be used when interfacing directly to a PC. Contact Avery Weigh-Tronix for setup requirements.

**Note:** Remote Display cable and debris shield must be ordered separately.

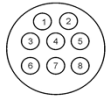
| Part Number     | Description  | List Price |
|-----------------|--|------------|
| 1. AWT05-508244 | XLR-6 Large 2" (50 mm) 8 character LED Remote Display                              | \$1,095    |
| 2. AWT05-503508 | XLR-8 Large 3.5" (88 mm) 8 character LED Remote Display                            | \$1,895    |
| 3. AWT05-503509 | XLR-12 Large 3.5" (88 mm) 12 character LED Remote Display                          | \$2,395    |
| 4. AWT05-508584 | XLR-6 Large 2" (50 mm) 8 character LED Remote Display, CE approved transmitter     | \$1,095    |
| 5. AWT05-507376 | XLR-8 Large 3.5" (88 mm) 8 character LED Remote Display, CE approved transmitter   | \$1,895    |
| 6. AWT05-507377 | XLR-12 Large 3.5" (88 mm) 12 character LED Remote Display, CE approved transmitter | \$2,395    |

### Remote Display Cables

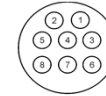
- |                 |  |       |
|-----------------|--|-------|
| 7. AWT25-500473 | 10 ft / 3.1 m Cable Assembly, Serial RD with power | \$75  |
| 8. AWT25-500477 | 30 ft / 9.2 m Cable Assembly, Serial RD with power | \$115 |



- |                 |  |       |
|-----------------|--|-------|
| 9. AWT25-501728 | 10 ft / 3.1 m extension cable to use with Serial RD cable assembly. This creates a disconnect point between the indicator in the cab's cable and the remote display's cable. Very useful when connecting and disconnecting mixer wagon to tractor. | \$120 |
|-----------------|--|-------|



P11 CONNECTOR  
CONTACT LAYOUT



J11 CONNECTOR  
CONTACT LAYOUT



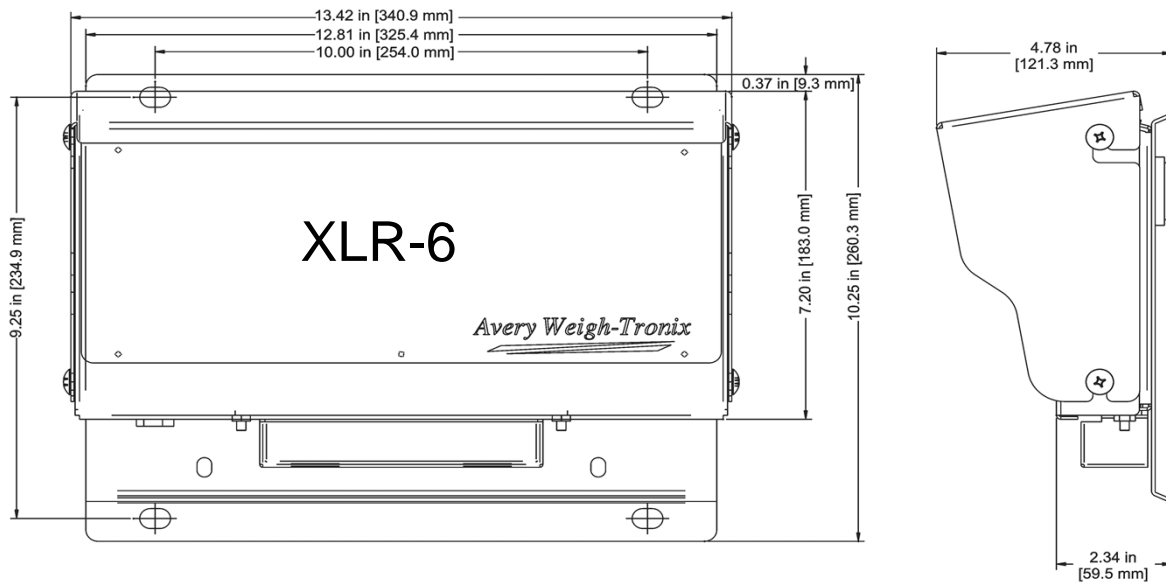
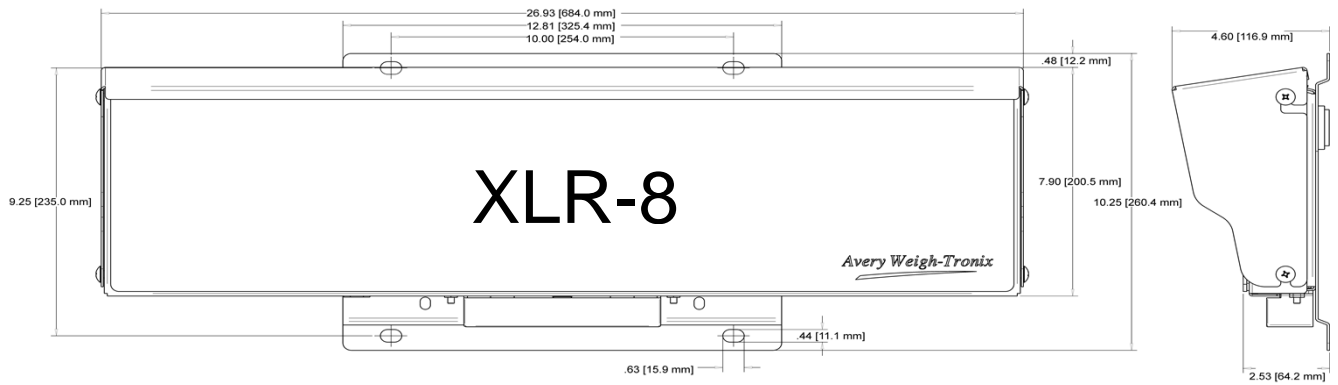
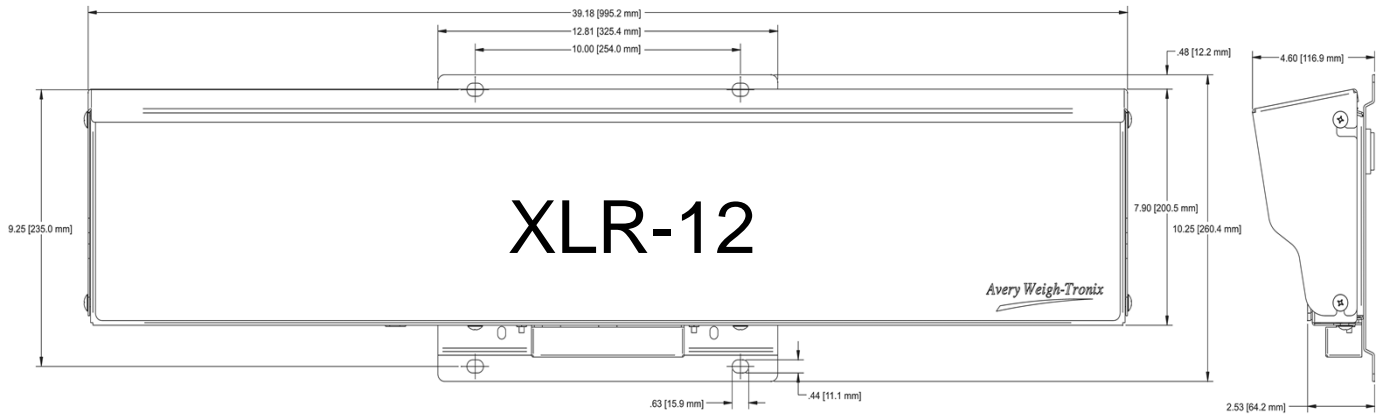
- |                  |  |       |
|------------------|--|-------|
| 10. AWT25-500928 | 15 ft / 4.6 m Cable Assembly, Interface to Digi-Star | \$95  |
| 11. AWT25-500929 | 30 ft / 9.2 m Cable Assembly, Interface to Digi-Star | \$120 |

### Debris Shields

| Part Number      | Description  | List Price |
|------------------|--|------------|
| 12. AWT20-508532 | XLR-6 Protective Stainless Steel Shield. Helps keep dust and moisture off display to improve viewing quality.  | \$65       |
| 13. AWT20-504832 | XLR-8 Protective Stainless Steel Shield. Helps keep dust and moisture off display to improve viewing quality.  | \$95       |
| 14. AWT20-504833 | XLR-12 Protective Stainless Steel Shield. Helps keep dust and moisture off display to improve viewing quality. | \$105      |

### Accessories

| Part Number      | Description   | List Price |
|------------------|---|------------|
| 15. AWT25-500927 | Remote Receiver   | \$140      |
| 16. AWT15-501088 | Extra XM60 remote transmitter   | \$75       |
| 17. AWT20-504460 | XLR Mounting Plate Adapter  | \$45       |
| 18. AWT05-505541 | 2 Remote Splitter Box for connecting indicator to two XLR remote displays | \$145      |

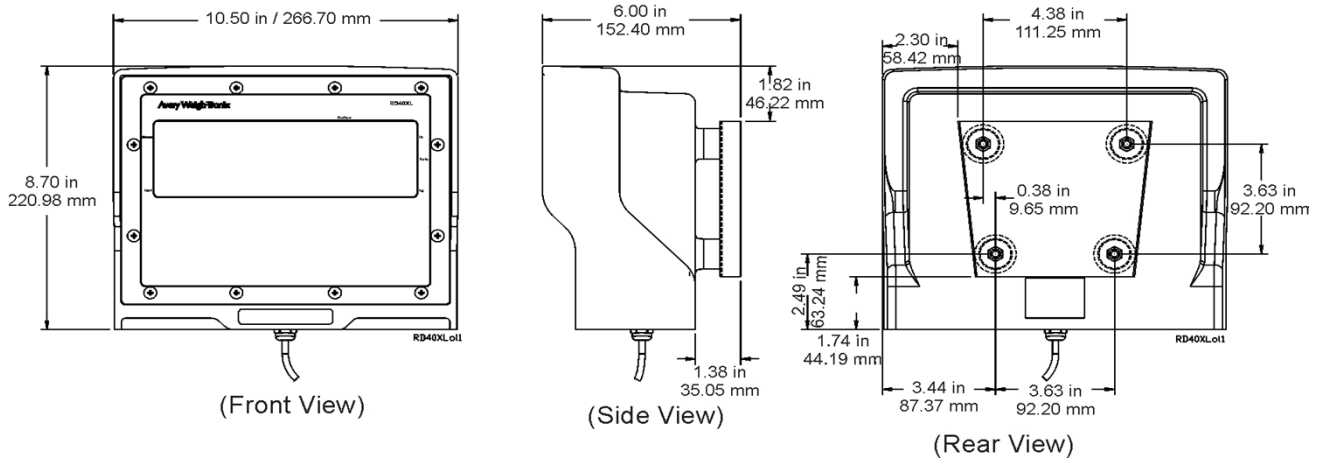


## Standard Remote Displays (RD40XL, RD64/XL)

The RD40XL and RD64/XL 2.0" / 50.8 mm high backlit display. These remote displays are ideal for customers that require viewing of the scale information at a distance or at an alternate location.

**Note:** When ordering, please specify indicator model you're connecting.

| Part Number  | Description  | List Price |
|--|--|------------|
| <b>Remote Displays for use with M640M/M640/M640XL</b>    |  |            |
| 19. AWT05-507403   | RD40XL 2.0" / 50.8 mm remote display with 30 ft / 9.1 m cable                              | \$745      |
| <b>Transmitter/Receiver Options</b>                      |  |            |
| 20. 55099-0055   | XM64 Transmitter/Receiver (Field Install RD40XL or 640/XL)                                 | \$230      |
| 21. 55099-0063   | XM64 Transmitter/Receiver (European CE-Field Install RD40XL or 640/XL)                     | \$230      |
| 22. 55096-0017   | XM64 Transmitter for "40 Series" indicators (Transmitter only)                             | \$80       |
| 23. 55096-0025   | Extra XM64 remote transmitter (CE European version) (1040 and 2040 only)                   | \$80       |
| <b>Remote Displays for use with 1040/2040 Indicators</b> |  |            |
| 24. RD64XL-30  | RD64XL Remote Display 2.0" / 50.8 mm digits with 30 ft / 9.1 m cable                       | \$995      |
| 25. RD64XL-30TR  | RD64XL Remote Display 2.0" / 50.8 mm digits with 30 ft / 9.1 m cable, Transmitter/Receiver | \$1,225    |



## Miniature Remote Displays (RD64M, RD40)

The RD64M/RD40 has a six digit 1.1" / 27.9 mm high backlit display. These miniature displays are ideal for customers that require low-cost remote viewing of the scale or have limited mounting space.

**Note:** When ordering, please specify indicator model you're connecting with and desired cable length.

### Remote Displays for use with 1040/2040

| Part Number    | Description   | List Price |
|----------------|---|------------|
| 26. 55330-0013 | RD64-M (if using with: 1040/2040), 15 ft / 4.5 m cable length | \$655      |

### Remote Displays for use with 640M/640

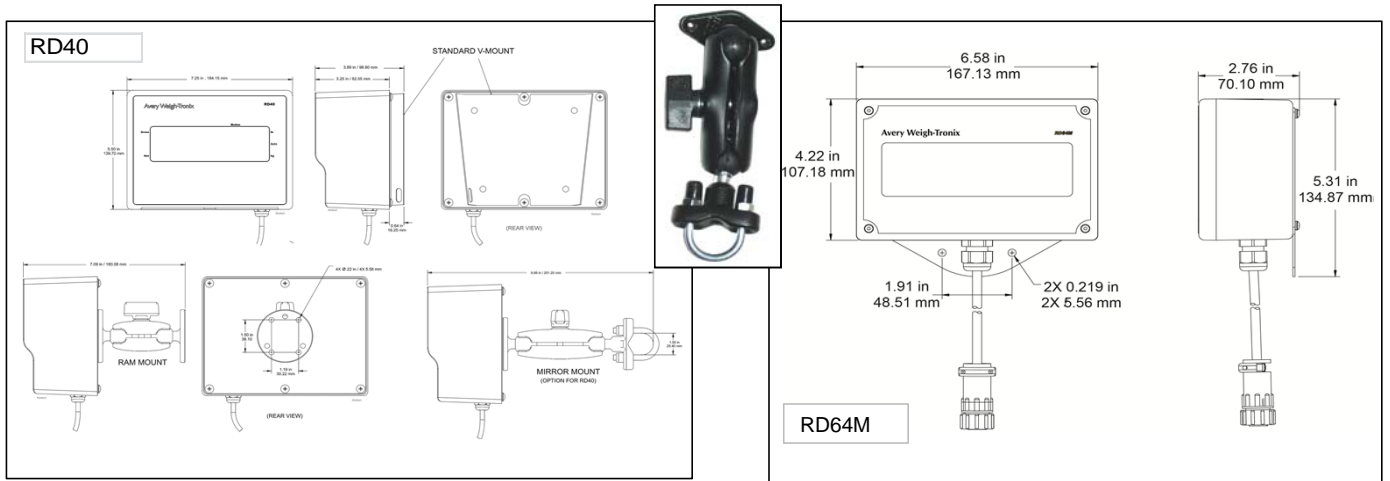
|                  |  |       |
|------------------|--|-------|
| 27. AWT05-508193 | RD40 (if using with: 640 series), 30 ft / 9.1 m cable length, V-Mount      | \$555 |
| 28. RD40-30RM    | RD40 (if using with: 640 series), 30 ft / 9.1 m cable length, RAM Mount    | \$595 |
| 29. RD40-15MM    | RD40 (if using with: 640 series), 15 ft / 4.5 m cable length, Mirror Mount | \$570 |
| 30. 57734-0045   | RD40 RAM mirror mount kit (Field Install)                                  | \$80  |
| 31. 57734-0037   | RD40 RAM mount option (Field Install)                                      | \$80  |

### Remote Display for use with 3060

|                  |  |       |
|------------------|--|-------|
| 32. AWT77-502198 | RD40, 15 ft / 4.6 m cable length, mirror mount (for 3060 only) | \$895 |
|------------------|--|-------|

### Accessories

|                  |  |           |
|------------------|--|-----------|
| 33. 53813-0014   | RD1012M & RD64M Mounting Kit                 | \$40 /net |
| 34. 56883-0012   | Splitter Box, RD64/RD40                      | \$145     |
| 35. AWT25-500459 | 10 ft / 3.1 m Cable Assembly, RD64/RD40 EXT  | \$110     |
| 36. AWT25-500462 | 50 ft / 15.3 m Cable Assembly, RD64/RD40 EXT | \$225     |



### Wireless Remote Displays (RD40RF)

The RD40RF has a six digit 1.1" (27.9 mm) high backlit display. These wireless displays are ideal for customers that require viewing scale information from inside loader cabs or in mobile application where a wired connection is not feasible. Scale functionality can be controlled with the keypad for the 640 and partial functions on the 1040/2040/3060. The indicator requires wireless capabilities to operate with the RD40RF.

**Note:** When ordering, please specify indicator model you're connecting with and desired cable length. Requires a separate Avery Weigh-Tronix power cord.

| Part Number    | Description   | List Price |
|----------------|---|------------|
| 37. 57764-0014 | RD40RF Wireless Remote Display with V-Mount bracket | \$1,065    |
| 38. 57764-0022 | RD40RF Wireless Remote Display with RAM Mount       | \$1,100    |
| 39. 57734-0037 | RD40 RAM mount option (Field Install)               | \$80       |

### 1040\640 RF Interface (Field Install - Requires serial port on indicator)

|                  |  |       |
|------------------|--|-------|
| 40. AWT05-500696 | RM-200 Transceiver Assembly, needed to interface to RD40RF | \$540 |
|------------------|--|-------|

